



### Display stand with motorised height-adjustment

Steel sheet column with exchangeable decor front

**Basic construction:** column: steel sheet powder-coated in RAL 9016 Traffic White  
 front panel: 1,9 cm composite plate in Platinum White (more cost-neutral decors [here](#))  
 bottom plate/V-foot: steel sheet powder-coated in RAL 9005 Jet black, fine structure

**Dimension:** H 195 x B 122,2 x T 64,5 cm (V-foot with castor rollers)  
 H 178,2 x B 90 x T 60 cm (with bottom plate)

**Vertical travel:** approx. 50 cm

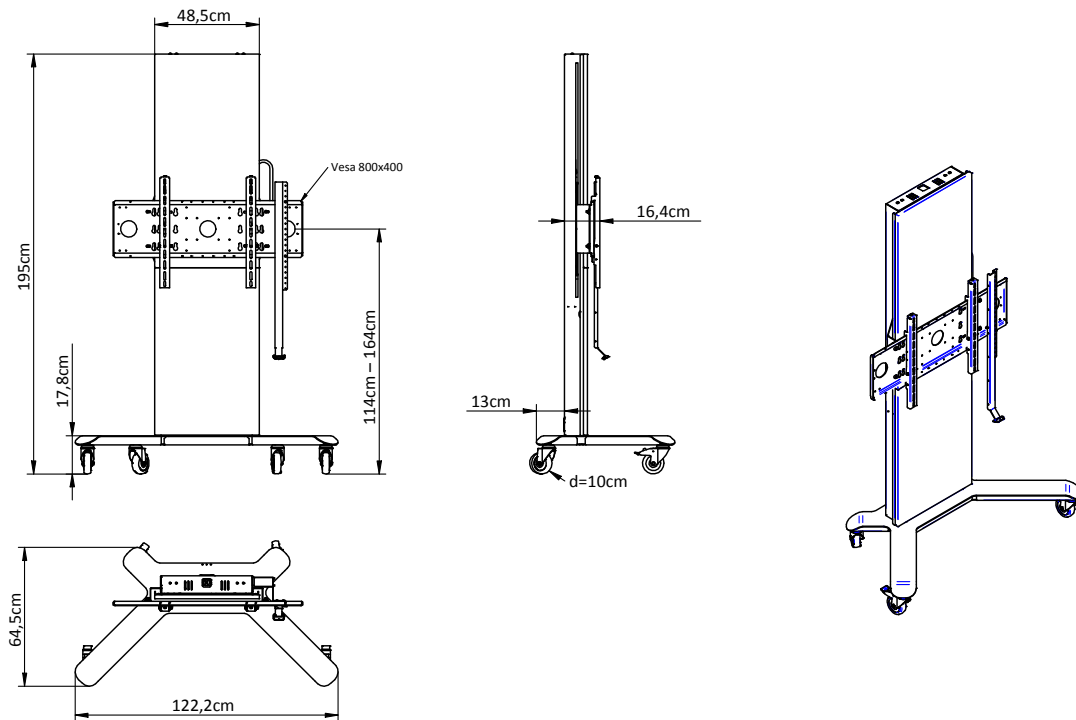
**Load capacity:** up to max. 60 kg, VESA 100x100 – 800x400

**Mounting:** mobile on 4 castor rollers (approx. 10 cm Ø), 2 of them are lockable, also available with adjustable feet (instead of rollers), for levelling on uneven floors, bottom plate is supplied with felt gliders

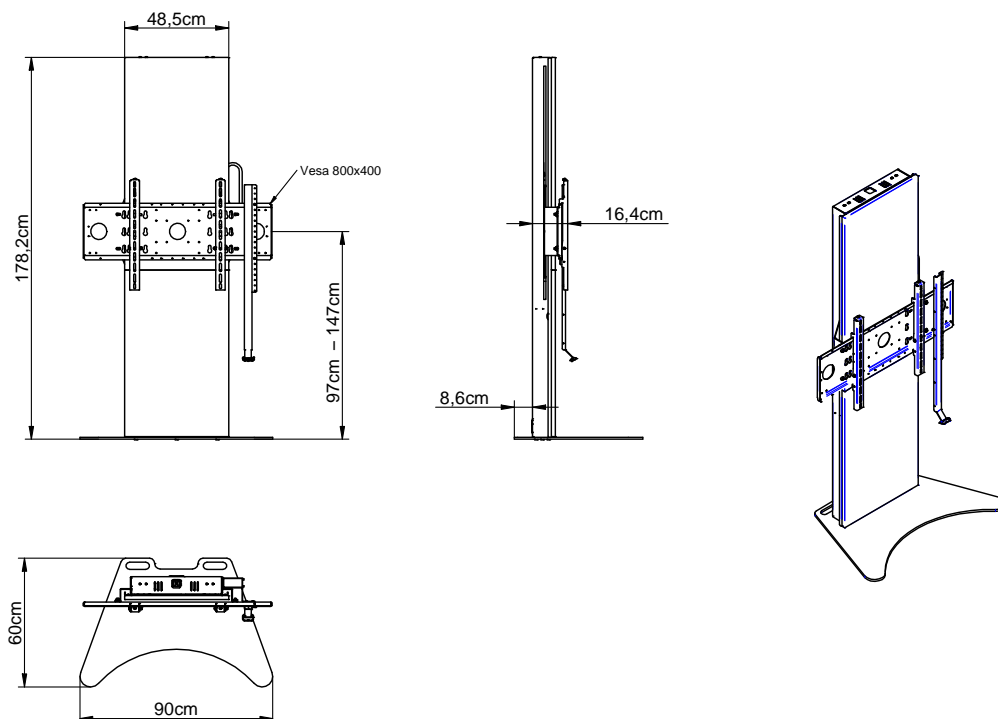
**Equipment:** integrated cable management takes place inside the column, power and data lines to the display will be outside the column in an accompanying cable routing, cable exits on the top, on the left and on the right, integrated bracket for mini PC inside the column according to VESA 100x100, up and down switch below the display  
 optional: bracket for 2 displays (55"), laptop and camera shelf, protection against collision (in case of obstacles the sensor reacts, stops and changes the direction), special finish acc. to RAL Classic

**Delivery:** takes place in a built-up state

## MOW-S flex with V-foot



## MOW-S flex with bottom plate



### Our standard:

column: RAL 9016 Traffic White

front panel: Platinum White – more cost-neutral decors [here](#)