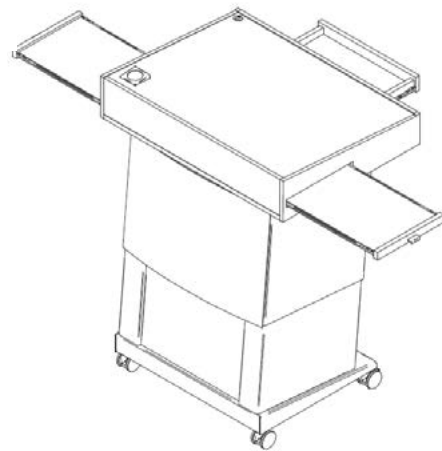
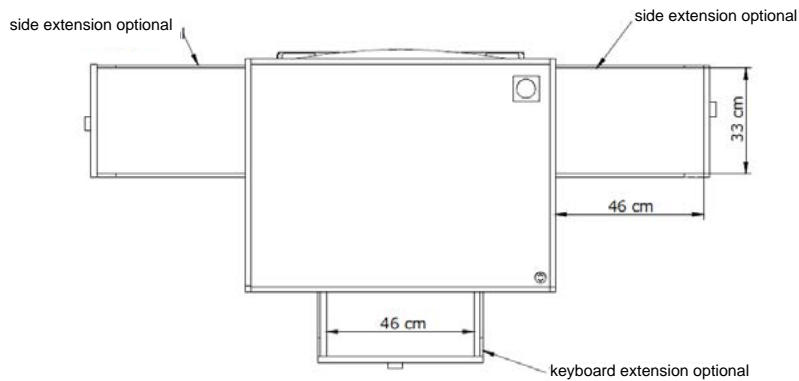
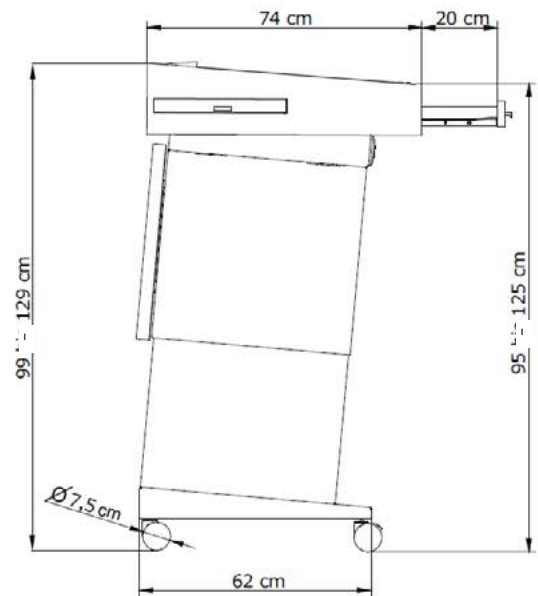
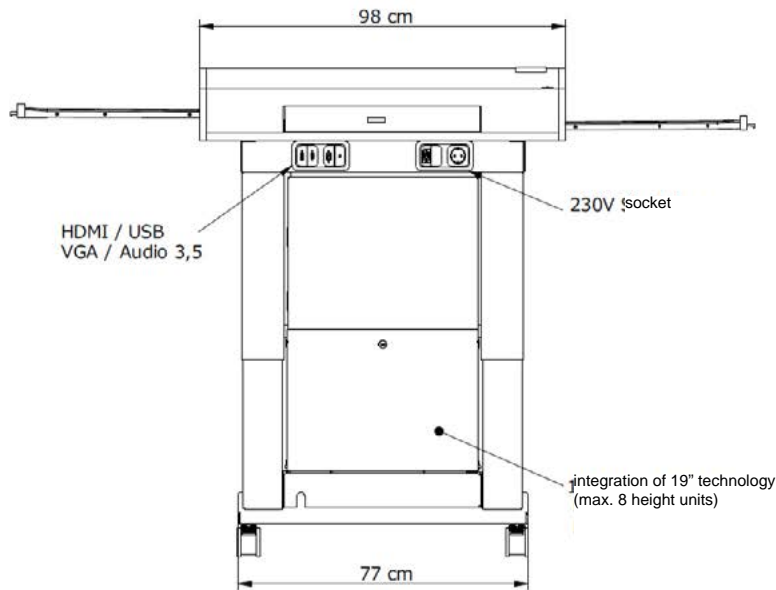




Fig. left HKS standard version // Right Colour example: corpus/bottom plate in RAL 7016 Anthracite grey / Decor: Bardolino natural oak

Robust lectern with motorised height adjustment

- Base construction:** corpus: RAL 7016 Anthracite grey
front panel: RAL 9007 Grey aluminium
bottom plate: RAL 9005 Jet black, fine structure
lectern top: Ellmau beech H1582 ST15 – more cost-neutral decors [here](#)
- Dimensions:** H 90 – 125 x W 98 x D 74 cm (speaker's side)
H 99 – 129 x W 98 x D 74 cm (audience side)
- Vertical travel:** stepless approx. 30 cm motorised
- Equipment:** base cabinet for integration of 19" technology (max. 8 height units), lockable, place for depositing a water glass, integrated cable management, lectern top inclined approx. 8° to the speaker, mobile on 4 castor rollers, 2 of them lockable (optionally with adjustable feet)
- Connection panel:** centrally underneath the lectern top: HDMI, USB/LAN, 3,5 stereo jack, 230V socket
- Optional:** keyboard extension, side extension on the right/left, LED gooseneck light, LED picture light/lighting for lectern, cut-out for: displays up to 24" incl. bracket, gooseneck microphone and control panel, Plexiglas surface for logo in front of the panel DIN A4/ DIN A3 as well Plexiglas insert in front of the panel A4, special finish acc. to RAL Classic
- Delivery:** takes place in a built-up state



Our standard

- corpus: RAL 7016 Anthracite grey
- front panel: RAL 9007 Grey aluminium
- bottom plate: RAL 9005 Jet black, fine structure
- lectern top: Ellmau beech H1582 ST15 – more cost-neutral decors [here](#)