



Mobile display stand

Basic construction: sheet steel powder-coated in RAL 9005 Jet black, fine structure

Dimensions: H 136 x W 89,3 x D 77 cm (with adjustable feet)
H 148 x W 89,3 x D 77 cm (with rollers)

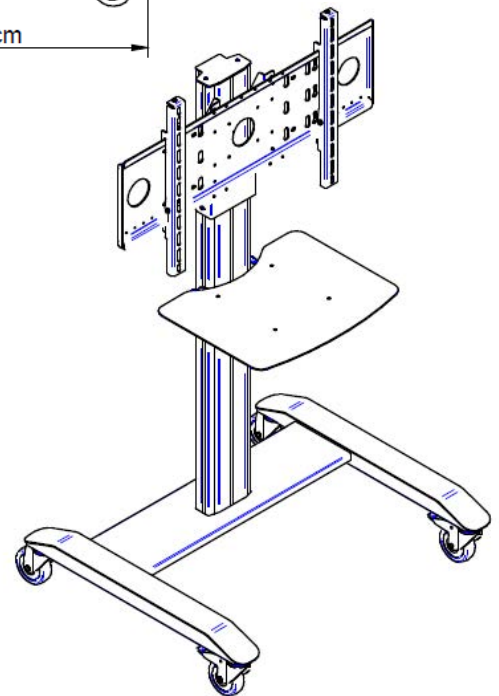
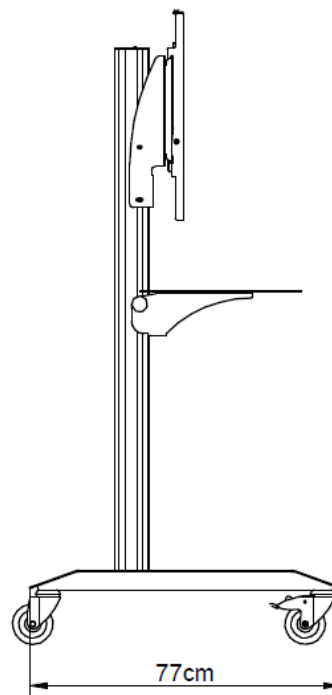
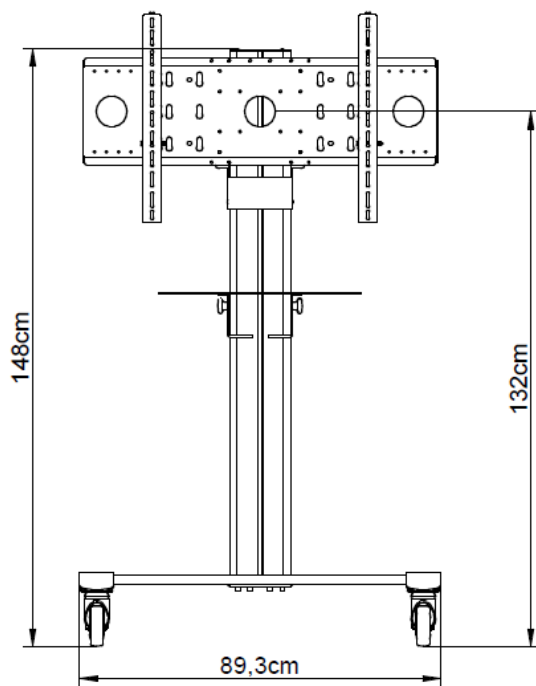
Adjustment: approx. 50 cm – stepless through the screw in groove channels

Load capacity: up to max. 80 kg and 86"

Mounting: mobile on 4 castor rollers (about 10 cm Ø), of which 2 are lockable, adjustable feet are optionally available for levelling on uneven floors

Equipment: VESA-standard 100x100 – 800x400, integrated cable management takes place inside the column housed in two integrated cable ducts, height-adjustable shelf (50 x 40 cm) e.g. a laptop or keyboard up to max. 5 kg load capacity, removable

Delivery: takes place in a disassembled state and packed in carton

**Our standard:**

column: RAL 9005 Jet black, fine structure

foot: RAL 9005 Jet black, fine structure