

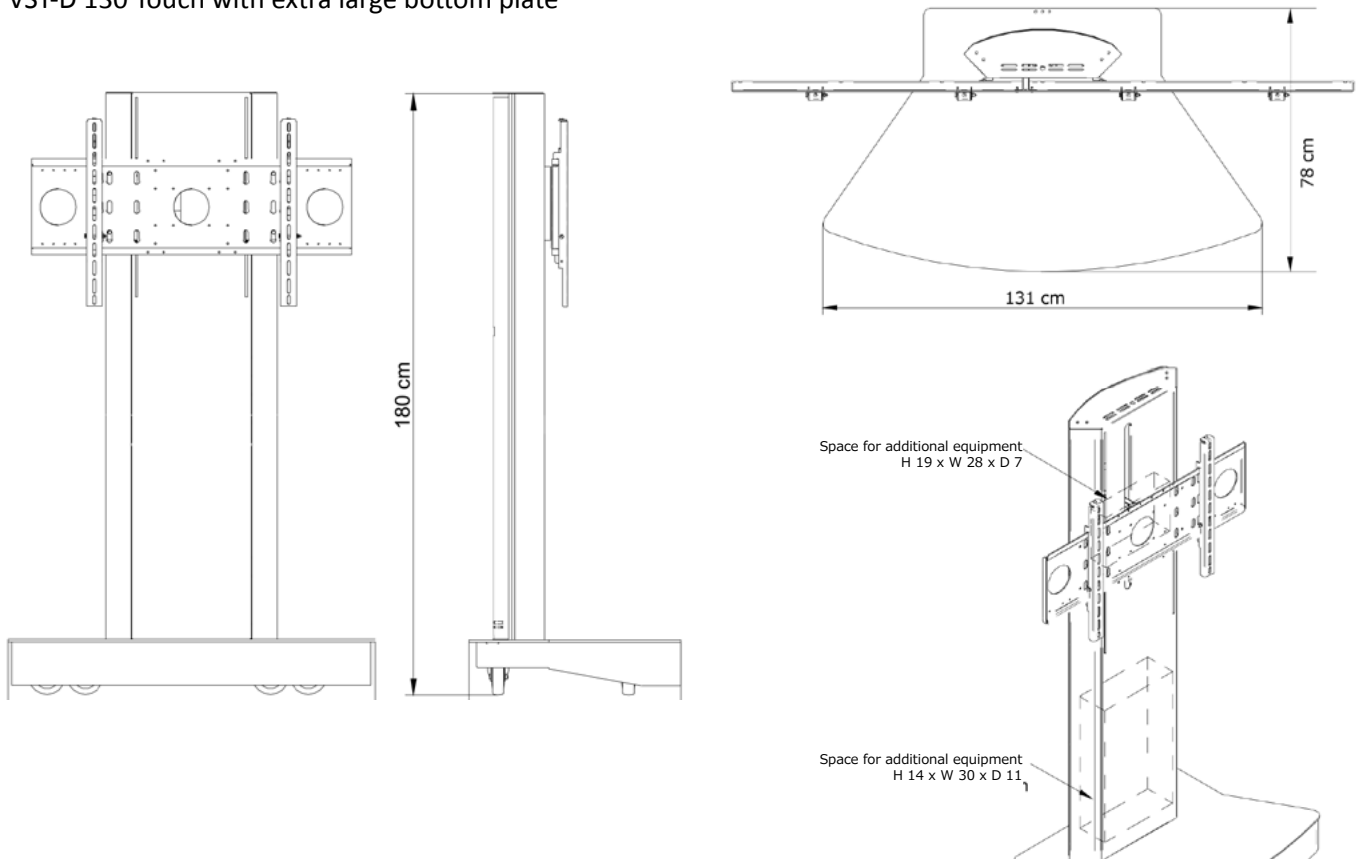


Left to right: VST-D 130 Touch extra large bottom plate / VST-D 130 N extra large bottom plate rounded inside

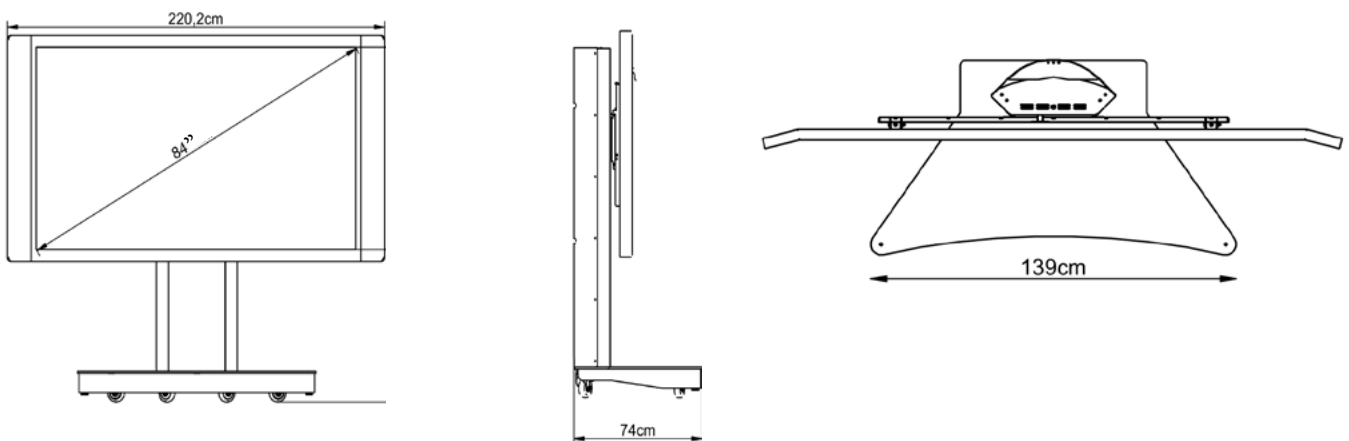
## Height-adjustable display stand with detachable rear panel

Basic construction:	column: steel sheet powder-coated RAL 9007 Grey aluminium bottom plate: steel sheet powder-coated RAL 9005 Jet black, fine structure
Dimensions:	H 169 x W 131 x D 78 cm (with adjustable feet without cover plate) H 180 x W 131 x D 78 cm (with rollers and cover plate)
Vertical travel:	approx. 50 cm
Load capacity:	up to max. 130 kg
Mounting:	mobile on 4 castor rollers (approx. 10 cm Ø), of which 2 rollers are lockable, feet are optional available for levelling on uneven floors (bottom plate delivered without cover plate)
Equipment:	VESA 100x100 – 1.250x600, cable management takes place inside the column, cable exits in the bottom plate and in the lower area of the detachable rear panel, integrated bracket for a mini PC inside the column, with up and down switch
Optional:	laptop and camera shelf available, protection against collision (in case of obstacles the sensor reacts, stops and changes the direction), connection field in the front panel (230V, HDMI, VGA, USB), bracket for 2 displays and other VESA-formats
Delivery:	takes place in a built-up state

VST-D 130 Touch with extra large bottom plate



VST-D 130 N



### Our standard

column: RAL 9007 Grey aluminium  
 bottom plate: RAL 9005 Jet black, fine structure

# HKS

SYSTEMTECHNIK

The specialist for  
 projection and  
 presentation