



Media stele for free technology integration as well as with many additional options

Basic construction: Corpus: Powder-coated in RAL 9016 Traffic white

Decor: Platinum white W980 ST9

Bottom plate: RAL 7016 Anthracite grey

Dimensions: Stele: H 181 x W 100 x D 14.3 cm

Bottom plate: W 100 x D 65 cm

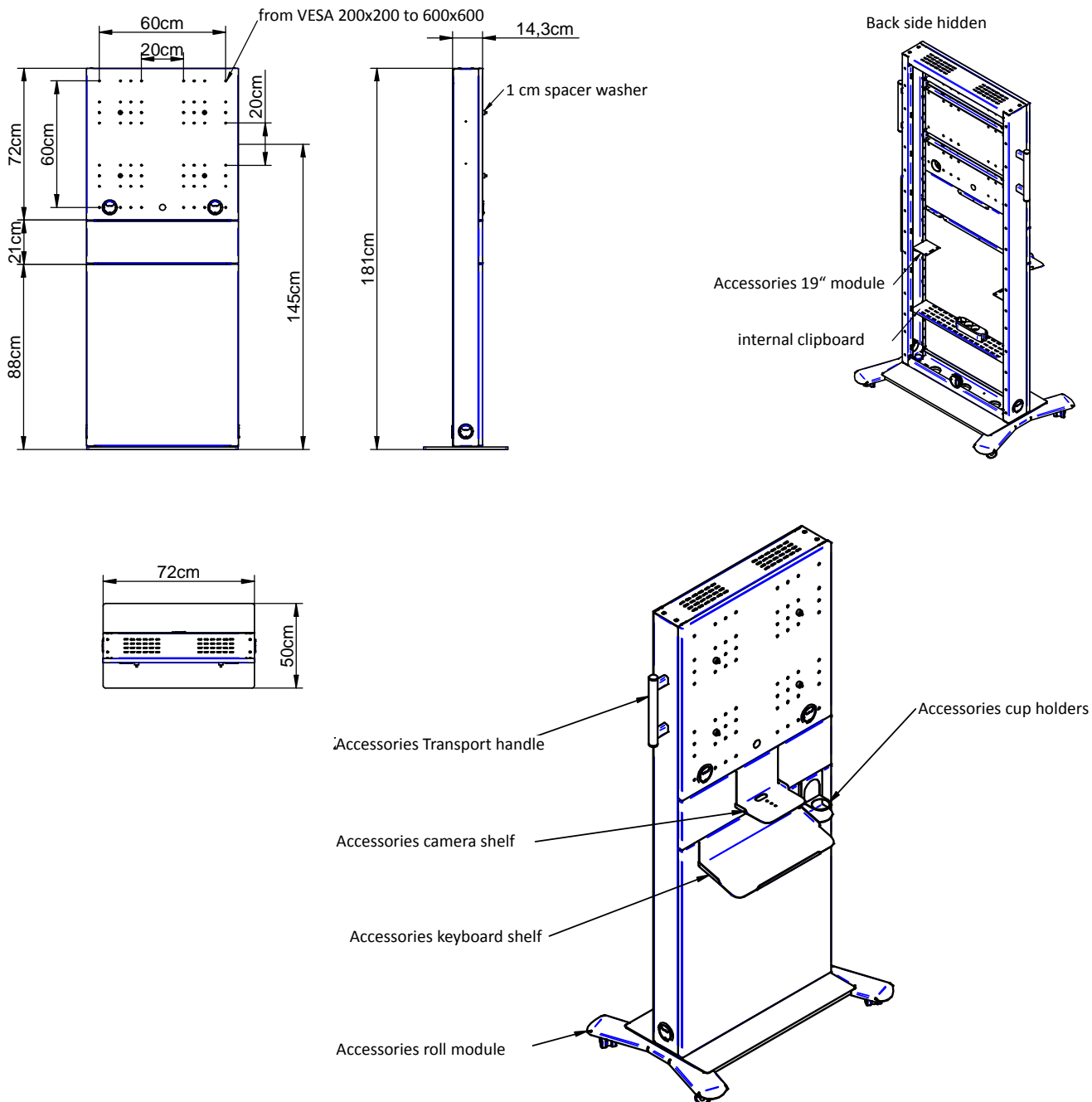
Load capacity: Up to approx. 150 kg

Display: For mounting a display up to approx. 98" with a VESA 200x200 to 600x600

Equipment: System internal cable management takes place inside the body, cable outlets on the side, at the rear bottom in the body, the decorative front panels are attached to the base frame made of sheet steel with magnets (this also allows frontal access to the technology), incl. bracket for the installation of smaller devices, ventilation slots at the top and bottom of the removable rear panel

Accessories: standard-VESA 100x100 – 800x400, VESA 100x100 – 1.250x600, „Turn-it“ module for 90° rotation of the display (please observe the manufacturer's instructions for the display!), 2 transport handles on the sides of the stele, rolling module with 6 castors, of which 2 are lockable (enlarges the mediastele by 6.3 cm), 19" module for technical mounting, internal clipboard, integrated storage compartment (H 10 x W 85 x D 10 cm) in the middle front panel (incl. cable outlet) for e.g. a sound bar, holder for 2 displays (65") max. load 80 kg, for attaching to the front panel: Camera shelf (W 20 x D 14.5 cm), keyboard shelf, cup holder, special RAL Classic paint finish

Transport: Delivery is set up



Our standard:

corpus: RAL 9016 Traffic White
 front panel: Platinum white W980 ST9

HKS
 SYSTEMTECHNIK

The specialist for
 projection and
 presentation