



Left to right: MOW-XL 130 Touch, MOW-XL 120 W, MOW-XL 120 B

Motorised height adjustment elements with replaceable decorfront

Basic construction: column: steel sheet powder-coated in RAL 9016 Traffic White
front panel: 1,9 cm composite plate in Platinum White (more cost-neutral decors [here](#))

Dimension: H 200 x W 80 x D 16 cm – **MOW-XL 120 B** and **MOW-XL 130 Touch**
H 125 x W 80 x D 16 cm – **MOW-XL 120 W** – max. mounting depth 6,5 cm

Vertical travel: approx. 50 cm, display up to 86"

Load capacity: up to max. 120 kg – **MOW-XL 120 B** – VESA 100x100 – 800x600
up to max. 130 kg – **MOW-XL 130 Touch** – VESA 100x100 – 1.250x600
up to max. 120 kg – **MOW-XL 120 W** – VESA 100x100 – 800x600

Mounting: **MOW-XL 120 B/130 Touch** – wall or wall-floor mounting, for mounting only on the wall the base can be unscrewed, the system will be fixed on the wall with max. 4 screws

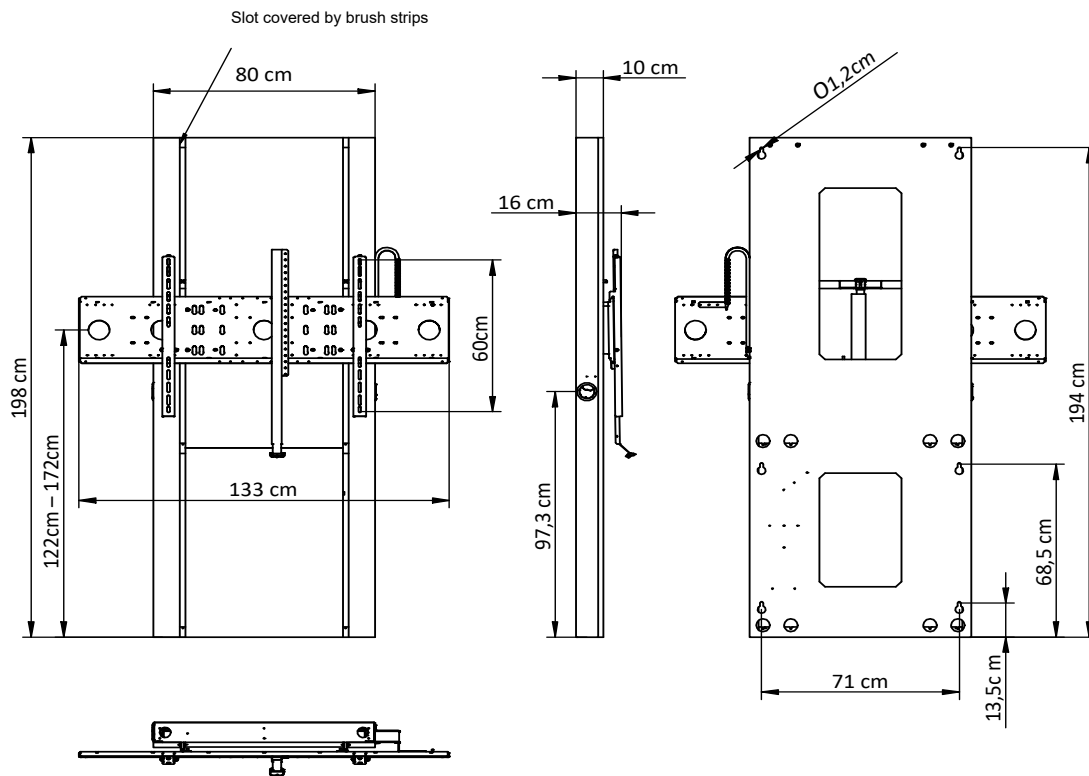
MOW-XL 120 W – wall mounting (please consider the load capacity of the wall!), the system will be fixed with max. 4 screws and can be installed flush in the wall

Equipment: integrated cable management takes place inside the column, power and data lines to the display are provided by the brush channels, cable exits on the top, revisable front panel (not on the MOW-XL 120 W), integrated bracket for mini PC inside the column according to VESA 100x100, up and down switch below the display

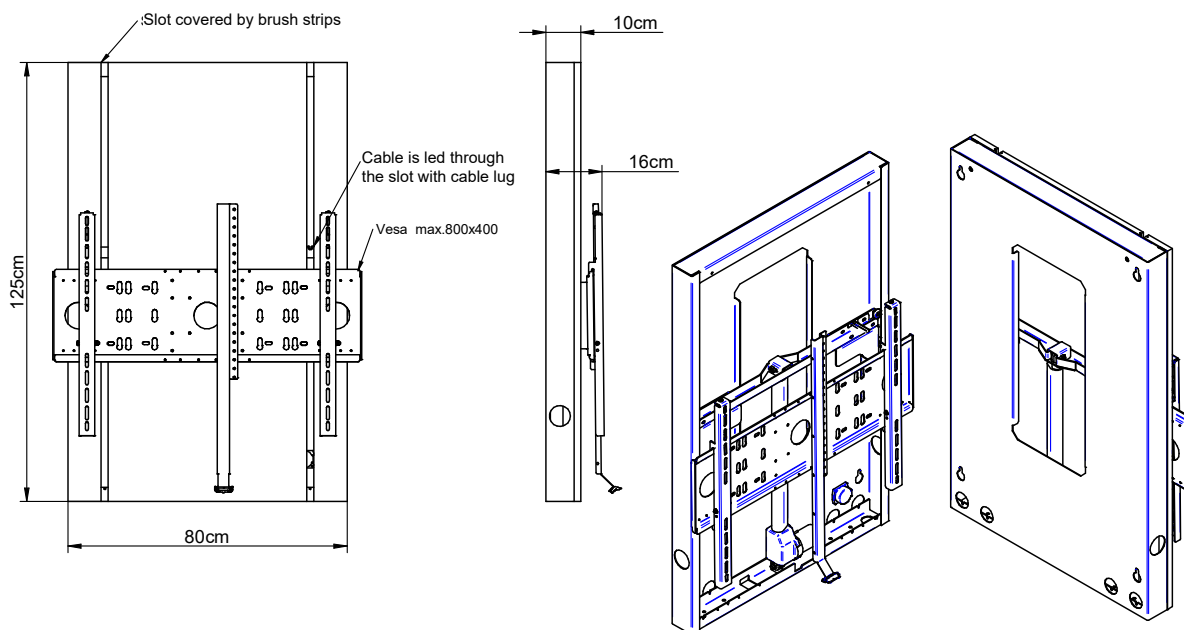
optional: bracket for 2 displays (55"), laptop and camera shelf, protection against collision (in case of obstacles the sensor reacts, stops and changes the direction), special finish acc. to RAL Classic and decors acc. HKS decors

Delivery: takes place in a built-up state

MOW-XL 120 B/MOW-XL 130 Touch



MOW-XL 120 W



Our standard:

column: RAL 9016 Traffic White

front panel: Platinum White – more cost-neutral decors [here](#)