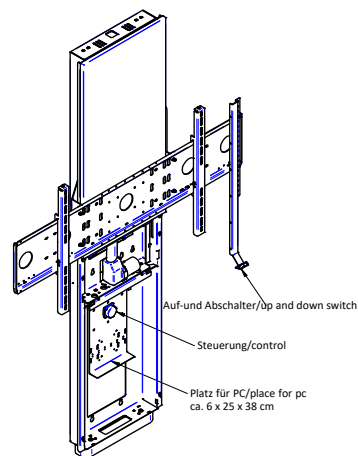
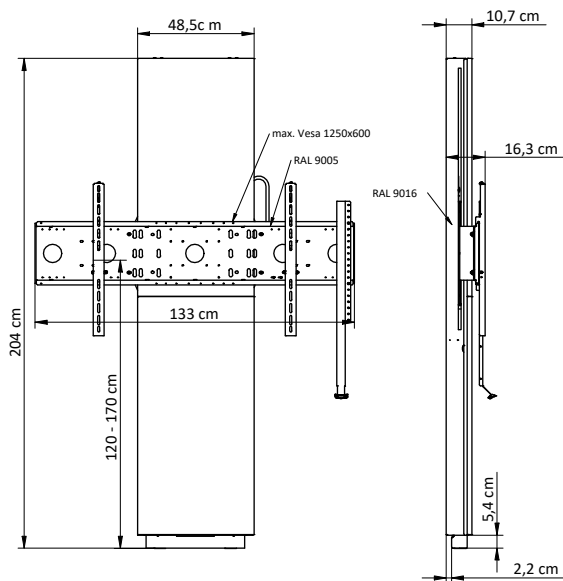
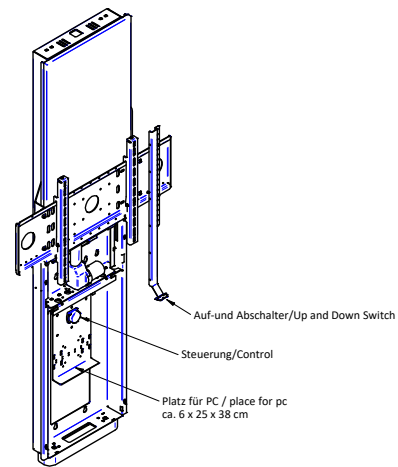
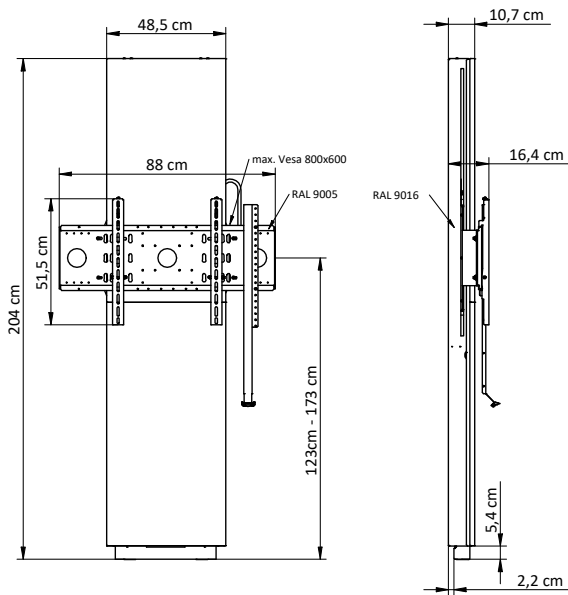




## Motorised height adjustment elements with replaceable decorfront

- Basic construction:** column: steel sheet powder-coated in RAL 9016 Traffic White  
front panel: 1,9 cm composite plate in decor platin white (more cost-neutral decors [here](#))
- Dimension:** H 204 x W 49 x D 11 cm, display up to 86"
- Vertical travel:** approx. 50 cm
- Load capacity :** up to max. 120 kg – MOW-S 120 B – VESA 100x100 – 800x600  
up to max. 130 kg – MOW-S 130 Touch – VESA 100x100 – 1.250x600
- Mounting:** wall or wall-floor mounting, for mounting only on the wall the base can be unscrewed, the system will be fixed on the wall with max. 4 screws, for levelling on uneven floors 2 adjustable feet included in the base, divided front panel for simple revision
- Equipment:** integrated cable management takes place inside the column, power and data lines to the display will be outside the column in an accompanying cable routing, cable exits on the top, on the left and on the right, integrated bracket for mini PC inside the column according to VESA 100x100, up and down switch below the display  
optional: bracket for 2 displays (55"), laptop and camera shelf, protection against collision (in case of obstacles the sensor reacts, stops and changes the direction), special finish acc. to RAL Classic and decors acc. HKS decors
- Delivery:** takes place in a built-up state



### Our standard:

column: RAL 9016 Traffic White  
 front panel: platin white – more cost-neutral decors [here](#)