



Small, effective media console for equipping Huddle Rooms

Basic construction: column/body: steel sheet powder-coated in RAL 9016 Traffic White
Door: Platinum White (more cost-neutral decors [here](#))

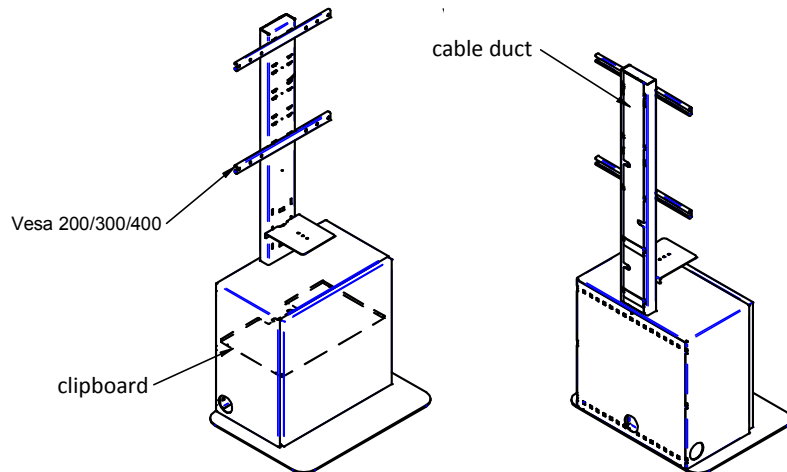
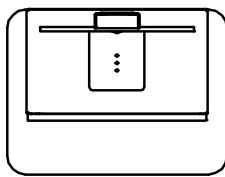
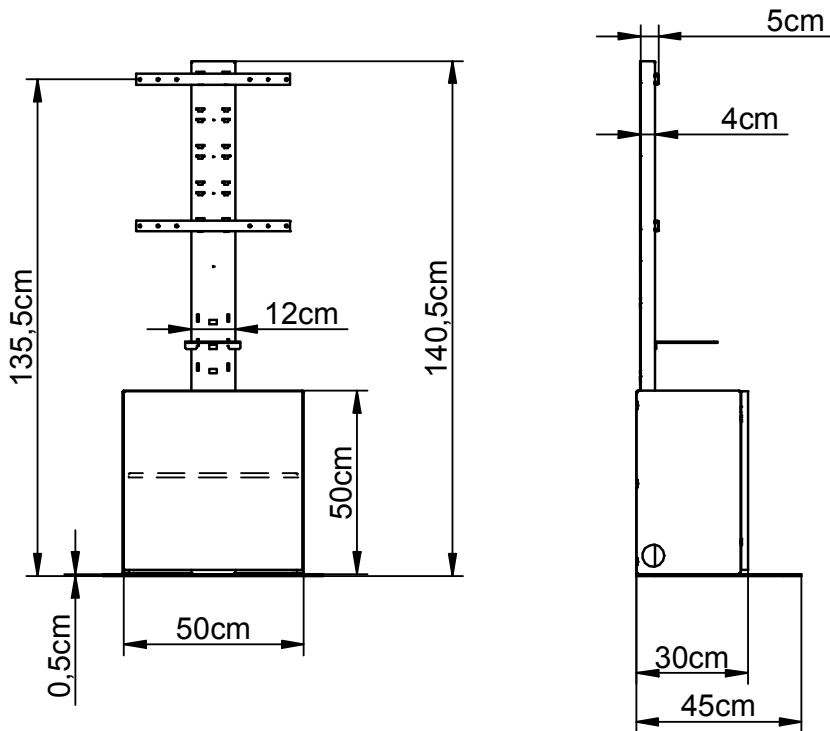
Dimensions: H 141 x W 50 x D 30 cm (D 45 cm with base plate)

Load capacity: Up to max. 50 kg – Display up to max. 65“, Holder for VESA 200/300/400

Equipment: integrated cable management takes place inside the column, cable exits are located at the side and rear of the base cabinet, including a height-adjustable camera shelf, equipment cabinet with an insertable shelf

Accessories: Cover for the rear cable duct available (e.g. for placement in front of the glass walls), a base plate with castors, handle with cable hook, triple Socket strip for the inside of the base cabinet

Transport: Delivery disassembled and carton-packed



Our standard:

column: RAL 9016 Traffic White

door: Platinum White – more cost-neutral decors [here](#)